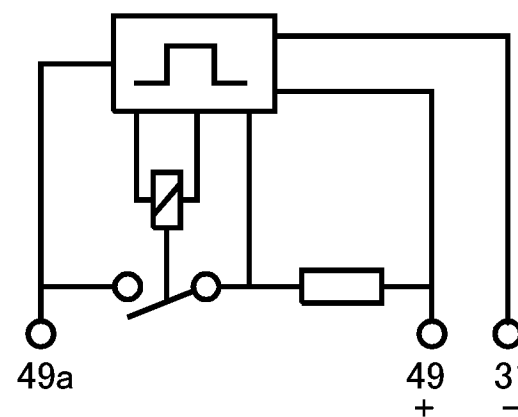


Wiring Diagram



Nominal Voltage	24 Vd.c.
Load voltage Range	18VDC~30VDC
Oscillation Frequency	70 to 90(c/min)
Lamp outage frequency	150 to 190(c/min)
Contacting Rating	Lamp load: 2(4)X21W+1(2)X5W
Electrical Life(continuous)	1000h (2X21W+5W)
Duty Cycle	40%~60%
Ambient temperature	-40℃ ~ 85℃
Cover color	Black
Termination	Plug-in

Type MF	Date	2007·07·15	PROJECTION 	TITLE Flashing Relays MF/024-1H
	Design	zhuweisi		
Size A3	Check	chenminxiao	SCALE 2:1	DWG.No.
	Approve	huzhongrui		
				Version No. 0