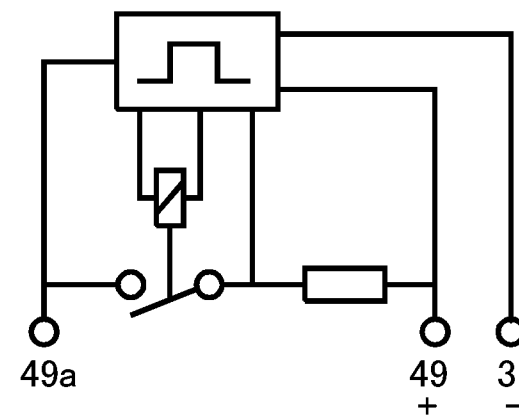


Wiring Diagram



|                             |                             |
|-----------------------------|-----------------------------|
| Nominal Voltage             | 12 Vd.c.                    |
| Load voltage Range          | 9VDC~15VDC                  |
| Oscillation Frequency       | 70 to 90(c/min)             |
| Lamp outage frequency       | 150 to 190(c/min)           |
| Contacting Rating           | Lamp load: 2(4)X21W+1(2)X5W |
| Electrical Life(continuous) | 1000h (2X21W+5W)            |
| Duty Cycle                  | 40%~60%                     |
| Ambient temperature         | -40℃ ~ 85℃                  |
| Cover color                 | Black                       |
| Termination                 | Plug-in                     |

|            |            |             |                |                                    |  |
|------------|------------|-------------|----------------|------------------------------------|--|
| Type<br>MF | Date       | 2007·07·15  | PROJECTION<br> | TITLE<br>Flashing Relays MF/012-1H |  |
|            | Design     | zhuweisi    |                |                                    |  |
|            | Check      | chenminxiao | SCALE<br>2:1   |                                    |  |
| Approve    | huzhongrui | Size        |                | A3                                 |  |