

## SP\_SSL\_HL102-Customer Information

RL 2016-11-29

9C1 3455199-EN-00

Released

SP SSL&EL Herbrechtingen 330

ECM

Benjamin Kreiszig AMW

Template: ZOT 10000028

External no.:

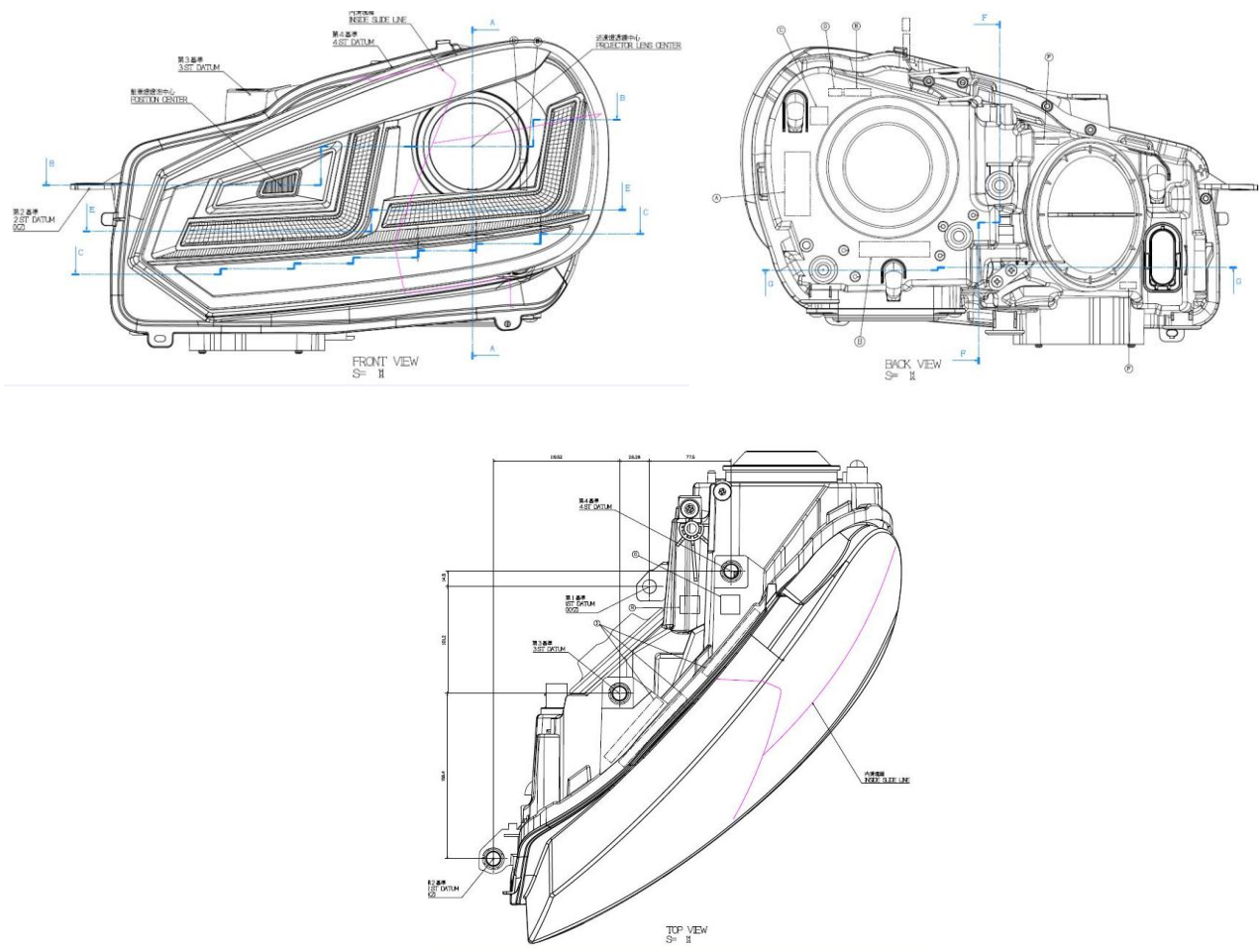
Page 1 of 6

OSRAM GmbH: Chairman of the Supervisory Board: Peter Bauer; Managing Directors: Dr. Olaf Berlien (Chairman), Dr. Stefan Kampmann;  
Registered office: Munich; Commercial registry: Munich, HRB 201526; WEEE-Reg.-No. DE 71568000

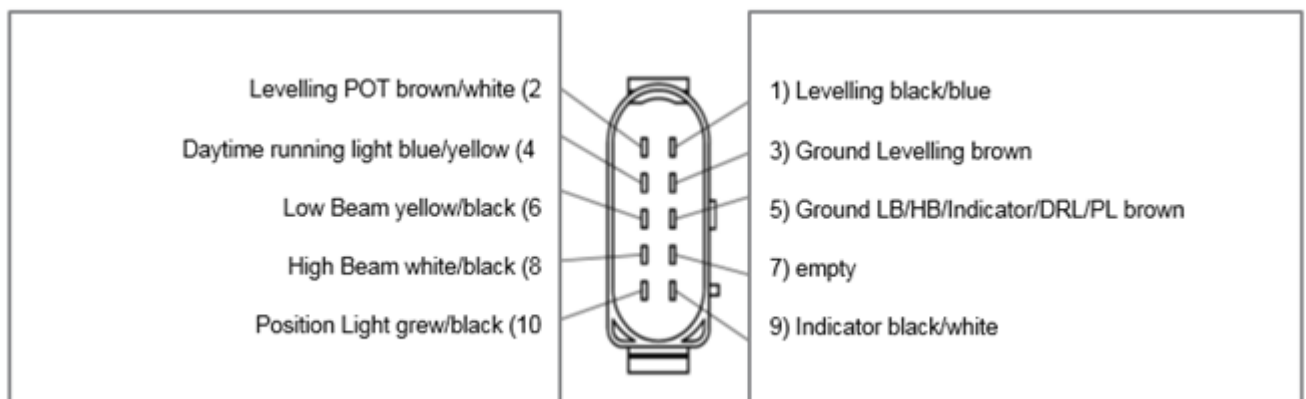
## Drawing and dimensions / Zeichnung und Abmaße

not in scale / nicht maßstäblich

general tolerances according / Allgemeintoleranzen nach ISO 2768-mH



### Pinning and connector for headlight system / Stecker-Belegung



## SP\_SSL\_HL102-Customer Information

**RL 2016-11-29****9C1 3455199-EN-00**

Released

SP SSL&amp;EL Herbrechtingen 330

ECM

Benjamin Kreiszi AMW

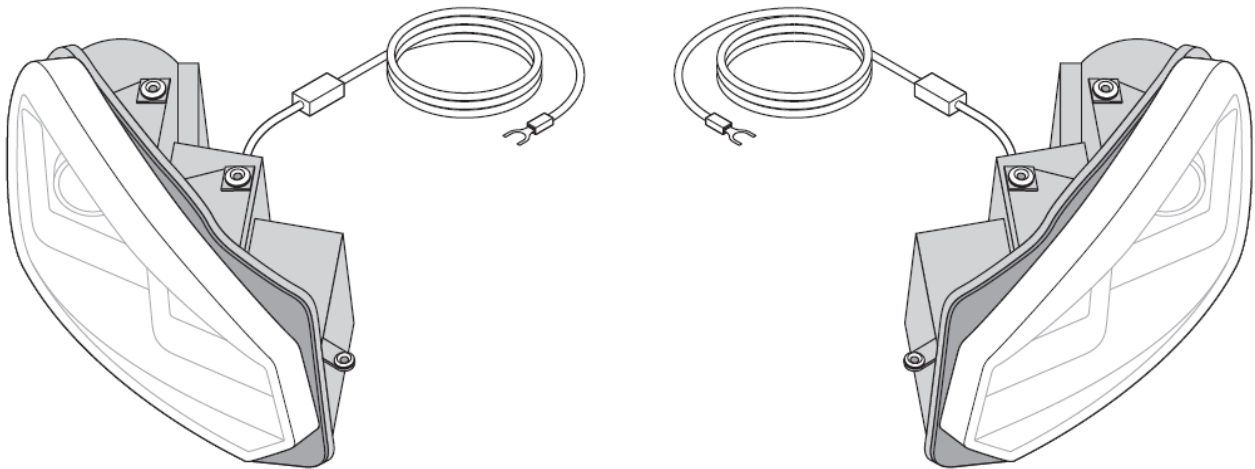
Template: ZOT 10000028

External no.:

Page 2 of 6

OSRAM GmbH: Chairman of the Supervisory Board: Peter Bauer; Managing Directors: Dr. Olaf Berlien (Chairman), Dr. Stefan Kampmann;  
Registered office: Munich; Commercial registry: Munich, HRB 201526; WEEE-Reg.-No. DE 71568000

## System Schematic / schematische Darstellung



Schematic representation of complete system showing left / right headlight and corresponding cables

## Product Specifications / Produkt Spezifikationen

### Optical Functions:

- Daytime Running Lamp (DRL) provided by LED. The DRL fulfills Position Light requirements
- Turn Indicator Lamp provided by LED.
- A Bi-Xenon dual-level 25/28W HID system provides the driving- and passing beam. A mechanical shutter is switched to change between the two beam modes.
- In passing beam mode, the HID ballast is to operate in the 25W level.
- In driving beam, the HID ballast is to operate in 28W mode (High-beam Boost mode).

### Mechanical and Electrical Interface:

- The mounting concept of the headlight system is fully compliant with that of the Volkswagen Golf VI equipped with the original halogen sources.
- The electrical functionality is identical with that of the Volkswagen Golf VI with halogen original feature.

**SP\_SSL\_HL102-Customer Information**

**RL 2016-11-29**

**9C1 3455199-EN-00**

Released

SP SSL&EL Herbrechtingen 330

ECM

Benjamin Kreiszi AMW

Template: ZOT 10000028

External no.:

Page 3 of 6

OSRAM GmbH: Chairman of the Supervisory Board: Peter Bauer; Managing Directors: Dr. Olaf Berlien (Chairman), Dr. Stefan Kampmann;  
Registered office: Munich; Commercial registry: Munich, HRB 201526; WEEE-Reg.-No. DE 71568000

## Images of Headlight / Scheinwerfer Bilder

CHROME Version



GTI Version



BLACK Version



## SP\_SSL\_HL102-Customer Information

**RL 2016-11-29**

**9C1 3455199-EN-00**

Released

SP SSL&EL Herbrechtingen 330

ECM

Benjamin Kreiszi AMW

Template: ZOT 10000028

External no.:

Page 4 of 6

OSRAM GmbH: Chairman of the Supervisory Board: Peter Bauer; Managing Directors: Dr. Olaf Berlien (Chairman), Dr. Stefan Kampmann;  
Registered office: Munich; Commercial registry: Munich, HRB 201526; WEEE-Reg.-No. DE 71568000

## Functionality / Funktionalität

	halogen headlight					LEDiving Xenarc Headlight			
	filament indicator	filament parking light	halogen low beam	halogen high beam	filament DRL	LED indicator	LED daytime running light	LED position light spot	HID
Light function									
parking light		on					on, reduced brightness	on	
daytime running light					on		on (activated when board-electronic is on)		
low beam			on				on, reduced brightness	on	on, 25W low beam function
high beam				on			on, reduced brightness	on	on, 28W high beam function
flash to pass				on			On/on with reduces brightness	Off/on depends on status low beam	on, 28W high beam function
indicator	on					on	On reduced brightness		

## List of Light Sources / Licht Quellen

Function	Light Source
Passing Beam	XENARC D8S
Driving Beam	XENARC D8S
Daytime Running Light	LED
Position Light	LED
Turn Indicator	LED

## Applied standards and regulations / Angewendete Normen und Vorschriften

ECE-R 06:	Uniform provisions concerning the approval of direction indicators for power-driven vehicles and their trailers
ECE-R 07:	Uniform provisions concerning the approval of front and rear position lamps, stop-lamps and end-outline marker lamps for motor vehicles (except motor cycles) and their trailers
ECE-R 48:	Uniform provisions concerning the approval of vehicles with regard to the installation of lighting and light-signaling devices
ECE-R 87:	Uniform provisions concerning the approval of daytime running lamps for power-driven vehicles
ECE-R 98:	Uniform provisions concerning the approval of motor vehicle headlamps equipped with gas-discharge light sources
IEC60529:	IP code: IPX9K – Protected against close-range high pressure, high temperature spray downs
EN 60068-2-64:	Environmental testing, Vibration, broadband random and guidance
RoHS certification:	Restriction of Hazardous Substances
REACH 1907/2006	Regulation (EC) No 1907/2006 Registration, Evaluation, Authorisation and Restriction of Chemicals (REACH)
ECE R10:	EMC/EMI test method, limits of CISPR25 Class 3 (for all components).

**SP\_SSL\_HL102-Customer Information**

**RL 2016-11-29**

**9C1 3455199-EN-00**

Released

SP SSL&EL Herbrechtingen 330

ECM

Benjamin Kreiszi AMW

Template: ZOT 10000028

External no.:

Page 6 of 6

OSRAM GmbH: Chairman of the Supervisory Board: Peter Bauer; Managing Directors: Dr. Olaf Berlien (Chairman), Dr. Stefan Kampmann;  
Registered office: Munich; Commercial registry: Munich, HRB 201526; WEEE-Reg.-No. DE 71568000

## Power Consumption / Elektrische Leistung

Source	Typical Power Consumption [W]
<b>Driving and Passing Beam</b>	
Passing Beam (Ballast in 25W mode)	32
Driving Beam (Ballast in 28W mode plus shunt resistor)	55
<b>Daytime Running Lamp</b>	
Full Power	15
Dimmed	1.44
<b>Direction Indicator</b>	
On	14

## Operating Conditions / Betriebsbedingungen

Environmental and Assembly Conditions				
0.12. Green Product (RoHS)	Yes			
0.13. Indoor / Outdoor use?	Outdoor			
0.14. IP rating	IPX9K			
	Min	Typ	Max	
0.15. Ambient Temperature Range (Ta on free air)	-40		85	°C
0.16. Storage Temperature Range	-40		105	°C

## Successive listing of changes / Änderungsfortschreibung

Revision	Issue / Ausgabe	Reason for change / Änderungsgrund
00	29.11.2016	First edition / Erste Version